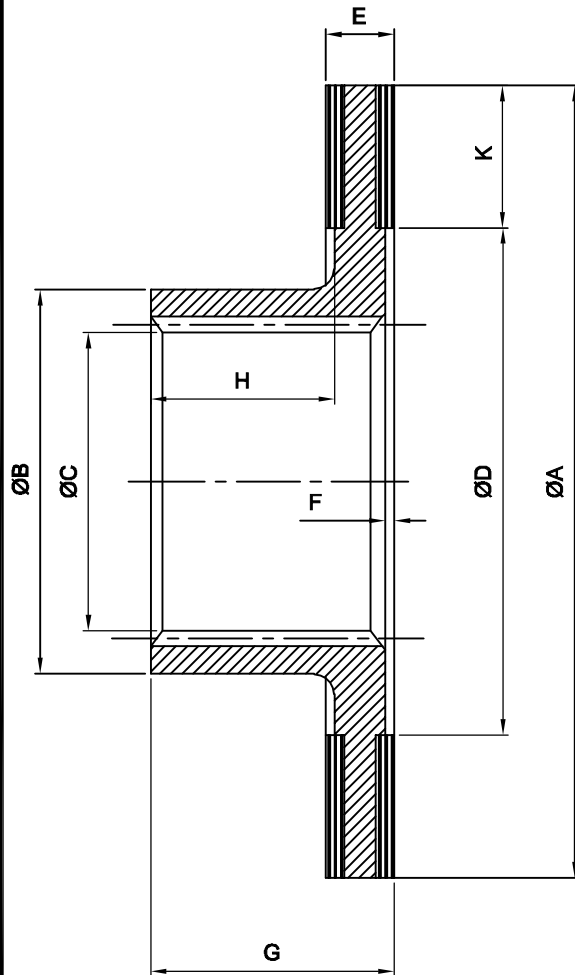


14.458.06 to 50 - EMCO Rotor Dimension sheet



Rotor Size	ØA	ØB	ØC	^{+0.3} ØD	K	^{±0.1} F	^{-0.05} E	^{±0.5} G	^{±0.2} H	No. of Teeth (Z)	Module (m)	Profile
14.458.06 - 023	^{-0.3} 60	^{±0.1} 29	25	39.4	10.30	1	6	19.5	14.5	18	1.25	DIN 5480
14.458.06 - 064	^{-0.3} 60	^{±0.1} 24	20	39.4	10.30	1	6	19.5	14.5	14		
14.458.08 - 023	^{-0.3} 76.5	^{±0.1} 40	35	55.3	10.60	1	7	21	15	26		
14.458.08 - 064	^{-0.3} 76.5	^{±0.1} 30.3	25	55.3	10.60	1	7	21	15	18		
14.458.10 - 023	^{-0.3} 95	^{±0.1} 41.3	35	65.3	14.85	2	9	22	15	26		
14.458.12 - 023	^{-0.3} 115	^{±0.1} 49	40	69.3	22.85	2	10	28	20	30		
14.458.14 - 023	^{-0.5} 124	^{±0.1} 55	45	79.3	22.35	2	10	32	24	34	2	
14.458.16 - 023	^{-0.5} 149	^{±0.1} 65	55	103.2	22.90	2.25	11.5	32.25	23	26		
14.458.18 - 023	^{-0.5} 174	^{±0.1} 74	65	128.5	22.75	2.75	13	38	28	31		
14.458.20 - 023	^{-0.5} 206	^{±0.5} 84	70	147.2	29.40	3.5	16	39.5	27	34		
14.458.25 - 023 / 14.458.31 - 023	^{-0.5} 254	^{±0.5} 114	95	198	28.00	4.5	20	50.5	35	46		
14.458.40 - 023	^{-0.5} 290	^{±0.5} 140	120	230.5	29.75	4.5	22	65	47	58		
14.458.50 - 023	^{-0.5} 444	^{±0.5} 200	170	275.2	84.40	6.5	30	71.5	48	55		

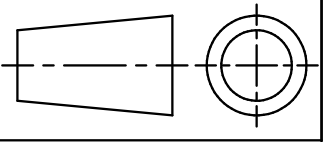
All dimension are in mm

Drn. By.	Himanshu Gajjar
Appr. By.	V.R.Sharma
Date	26-03-2012

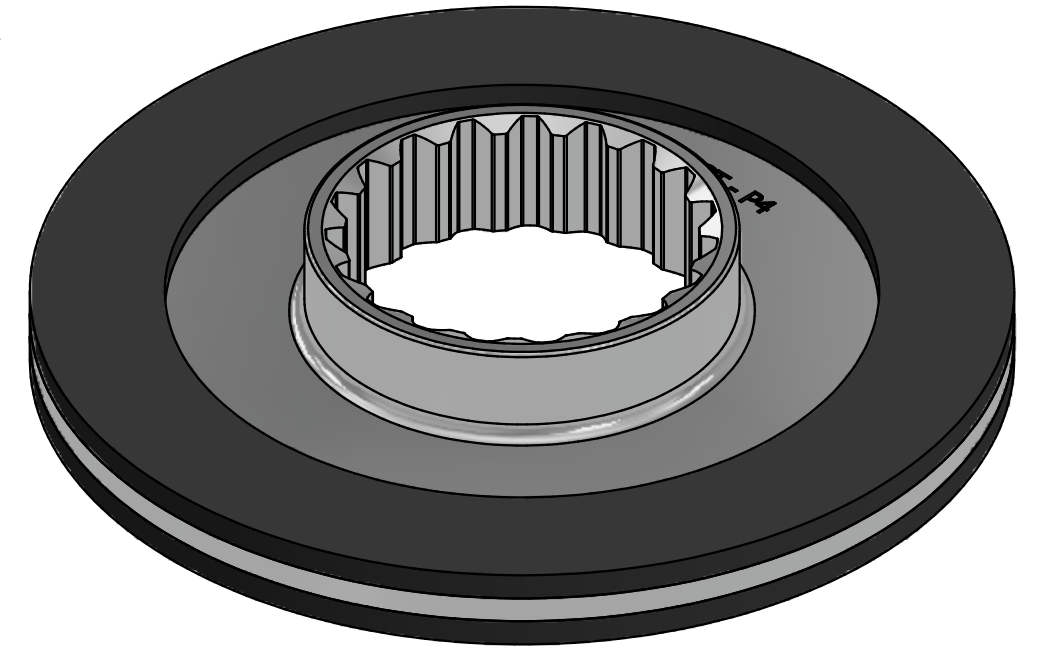
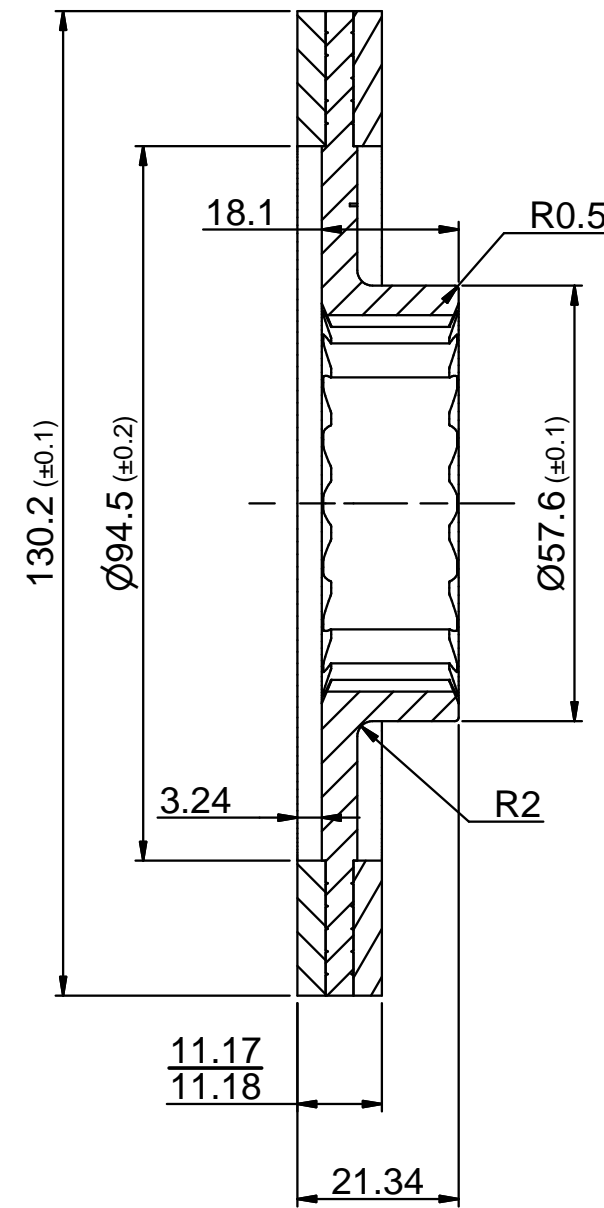
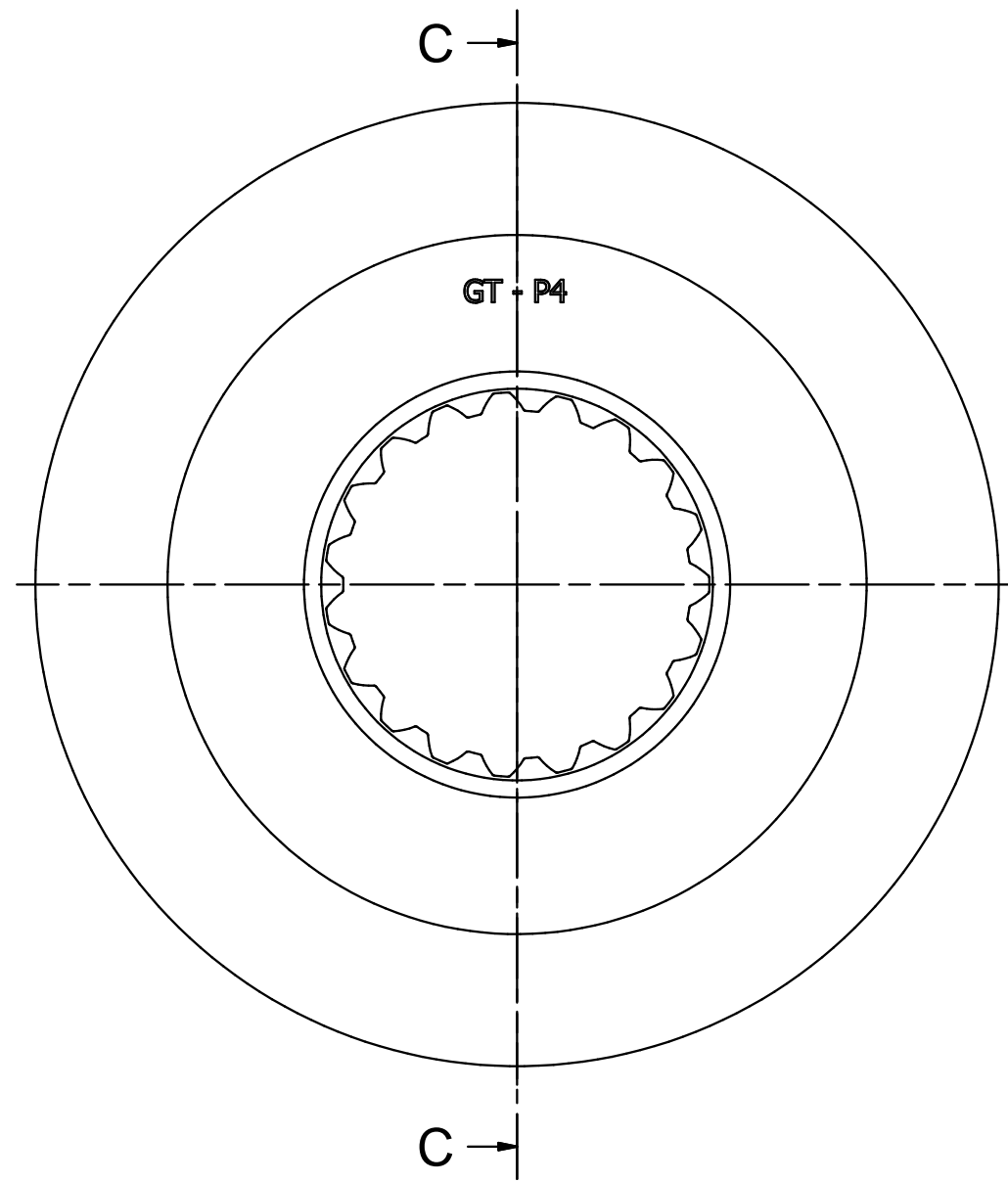
14.458.06 to 50 Brake Rotor Complete Dimension



Emco Dynatorq Pvt. Ltd.
 1002 / 1003, GIDC, Waghodia, Baroda 391 760.
 Tel. - +91 (0) 2668 262186 / 263089
 Fax - +91 (0) 2668 262180



C-C (1:1)



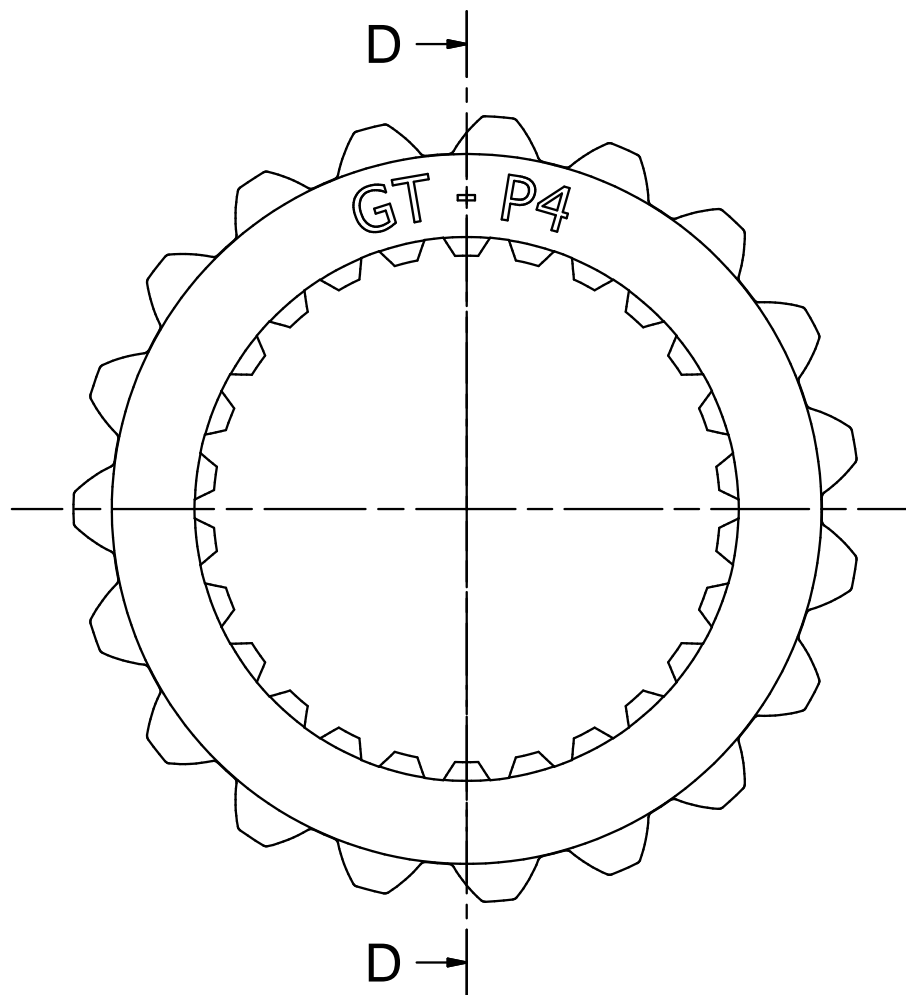
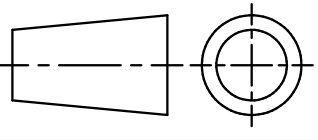
Gear Detail

- ▶ Reference diameter - d_B ---- 52
- ▶ Module - m ----- 2.5
- ▶ Pressure angle - a ----- 30°
- ▶ No. of Teeth - z ----- 19
- ▶ Profile ----- DIN 5480

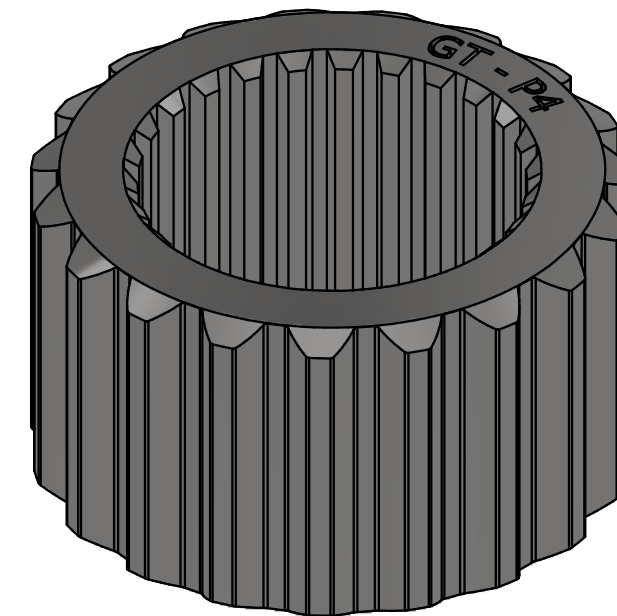
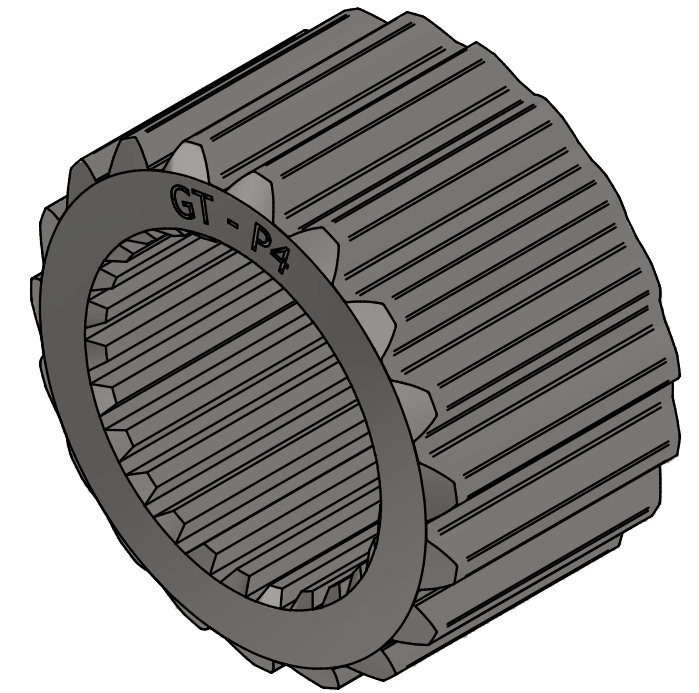
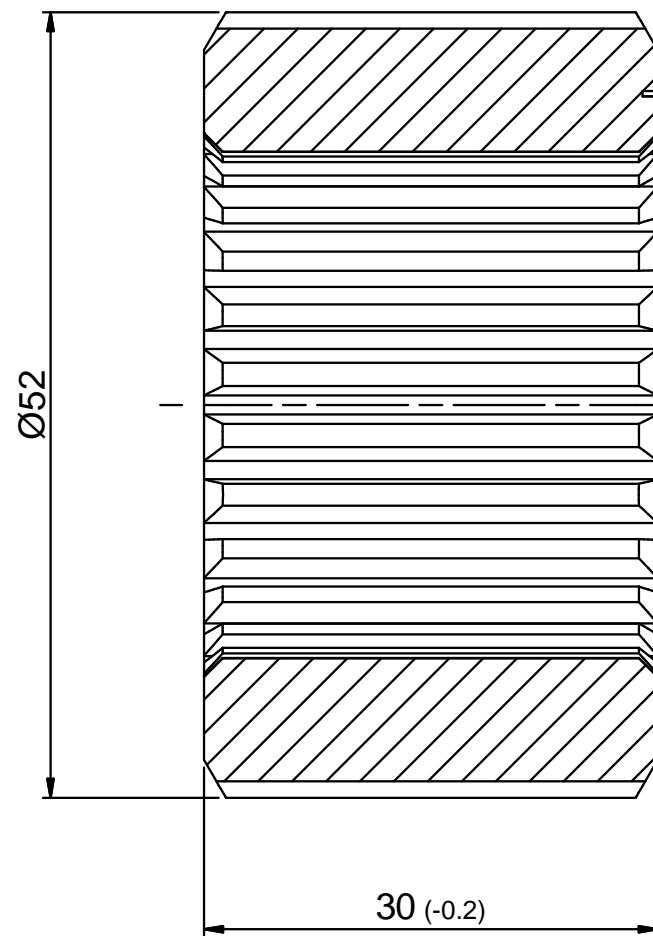
All Dimension are in mm.

FILE NAME	FSCM NO	SHEET A3	SCALE 1:1
SIZE	KONE - P4-P5		
DRAWN	11-04-2019 Himanshu Gajjar		EMCO Dynatorq Pvt. Ltd.
CHECK	11-04-2019 V.R.Sharma		Rotor Complete
APPR.	11-04-2019 V.R.Sharma		
ISSUED	11-04-2019 Himanshu Gajjar		
REV	00		DWG NO
CONTRACT NO	KONE-P4-P5-023		

REVISION HISTORY			
REV	DESCRIPTION	DATE	APPROVED
00		11-04-2019	V.R.Sharma



D-D (2:1)



All Dimension are in mm.

Inside Gear Detail (Broaching side)

- ▶ Reference diameter - **dB** ---- 35
- ▶ Module - **m** ----- 1.25
- ▶ Pressure angle - **a** ----- 30°
- ▶ No. of Teeth - **z** ----- 26
- ▶ Profile ----- DIN 5480

Outside Gear Detail

- ▶ Reference diameter - **dB** ---- 52
- ▶ Module - **m** ----- 2.5
- ▶ Pressure angle - **a** ----- 30°
- ▶ No. of Teeth - **z** ----- 19
- ▶ Profile ----- DIN 5480

REVISION HISTORY

REV	DESCRIPTION	DATE	APPROVED
00		11-04-2019	V.R.Sharma
FILE NAME		FSCM NO	SHEET A3
SIZE KONE - P4-P5		SCALE 1:1	
DRAWN 11-04-2019 Himanshu Gajjar		EMCO Dynatorq Pvt. Ltd.	
CHECK 11-04-2019 V.R.Sharma		HUb	
APPR. 11-04-2019 V.R.Sharma		DWG NO	
ISSUED 11-04-2019 Himanshu Gajjar		KONE-P4-P5-027	
REV 00			
CONTRACT NO			